

Revised 7/30/98 Destroy all previous copies

Applies To:

AT style (1989 models and later) control bar legs - converting from round to streamlined and from streamlined to round.

See Also:

[Technical Bulletin #TB930801](#) - Downtube End Plug Damage

[Technical Bulletin #TB930802](#) - Cbar Plug / Side Wire Tang - 93 & Later Plugs will require new bottom side wires

[Technical Bulletin #TB931101](#) - Toe-In Downtube Plugs - Use of Toe-In Str Legs on pre-RamAir models will require new bottom side wires.

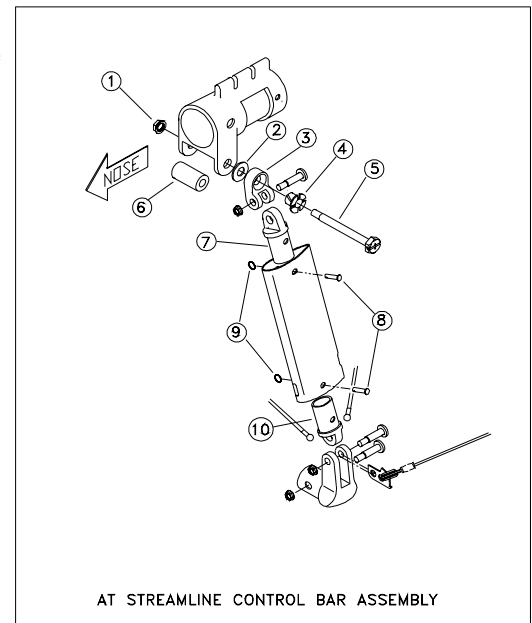
AT hardware style gliders not equipped with VG systems can use either round or streamlined legs. To convert from one to the other requires the appropriate size legs, and the hardware listed and shown below.

Tool Required:

5/16" wrench, a 3/8" wrench, a slot head screw driver, and a phillips head screw driver. You may need to pass a 3/16" drill bit through the clevis pin holes which mount the leg end fittings to the legs, or a 1/4" drill through the lower hole in the round leg.

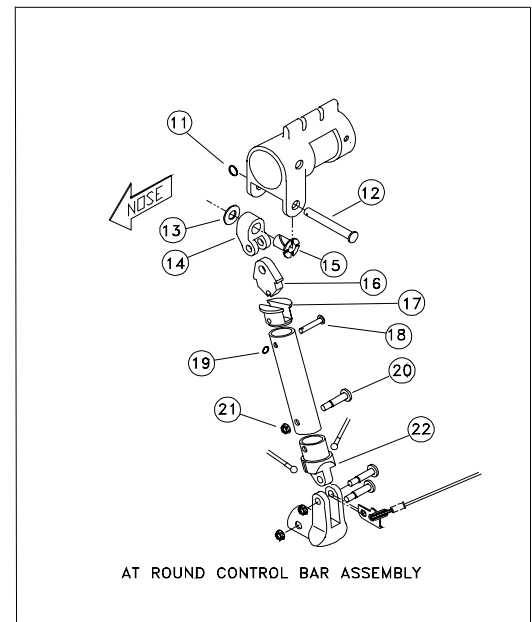
Converting To Streamlined Legs

Item #	Part #	Description	Qty Reqd
1	10N-1750	CLINCH NUT 5/16 MS21042-5	1
2	10U-5125	WASHER NYLON .75 * .316 * .020	2
3	20G-1711	CBAR ELBOW AT TOP STREAM	2
4	10T-5113	BUSH SPLIT HEADED AT CB SHORT	2
5	10A-3272	BOLT AN5-27A GROUND & SLOTTED	1
6	10T-1133	SPACER AL .5 * .095 * 1.42	1
7	20G-1433	CBAR PLUG AT LEG TOP STR TOEIN	2
8	10G-1330	CLEVIS PIN MS20392-2C33	4
9	10P-1100	SAFETY RING AN 9491 SMALL	4
10	20G-1425	CBAR PLUG AT LEG BOT STR 97 LEFT	1
	20G-1426	CBAR PLUG AT LEG BOT STR 97 RIGHT	1



Converting To Round Legs

Item #	Part #	Description	Qty Reqd
11	10P-1300	SAFETY RING MEDIUM THICK	1
12	10G-3590	CLEVIS PIN MS20392 - 4C59	1
13	10U-5125	WASHER NYLON .75 * .316 * .020	1
14	20G-1701	CBAR ELBOW AT TOP ROUND	2
15	10T-5114	BUSH SPLIT HEADED AT CB LONG	2
16	20G-1411	CBAR INSERT AT LEG TOP ROUND	2
17	15J-1401	INSERT CBAR LEG ROUND TOP AT	2
18	10G-1370	CLEVIS PIN MS20392 - 2C37	2
19	10P-1100	SAFETY RING AN 9491 SMALL	2
20	10C-5171	BOLT NAS 623-4-17	2
21	10N-1740	CLINCH NUT 1/4 MS21042-4	2
22	20G-1401	CBAR PLUG AT LEG BOTTOM ROUND	2



Notes:

As shown, streamlined legs must be mounted to the outside of the keel bracket, while round legs must mount between the bracket ears. *All of the hardware items* identified in the lists above must be changed when converting from one style leg to the other. Follow the assembly diagrams at right.